

# Microprocessor and Microcontroller

III year II semester

EEE Department

**Faculty:**

**Dr. Rashmi Kapoor**

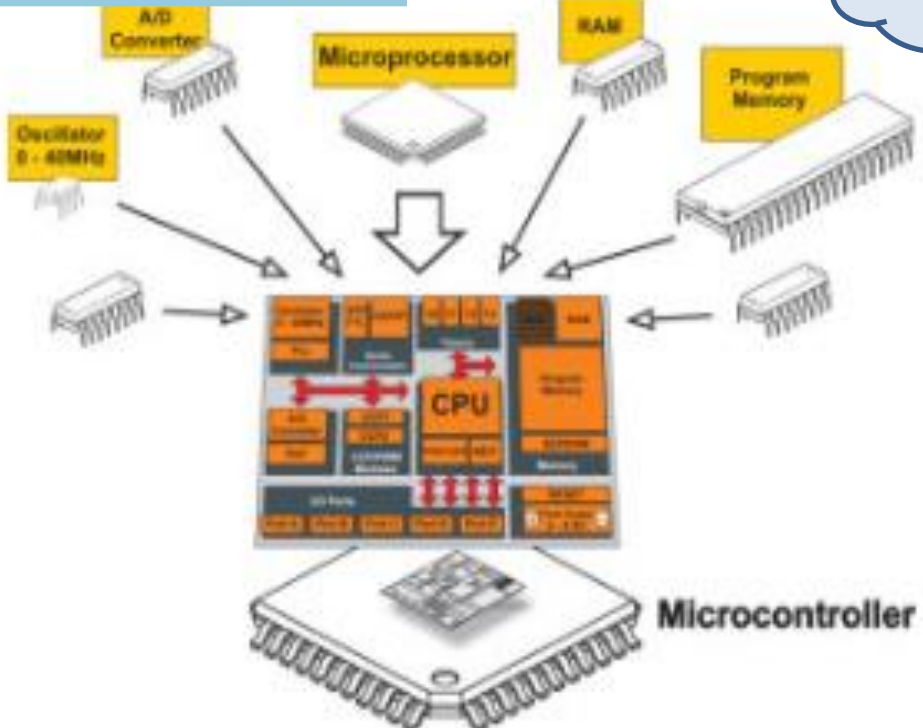
# WHAT I AM TEACHING IN MICROPROCESSOR AND MICROCONTROLLERS



**MICRO-PROCESSOR : THE BRAIN OF COMPUTERS**



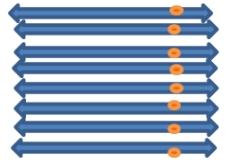
**8086-16 BIT MICROPROCESSOR**



**A/D OR D/A CONVERTERS**

**SPECIAL PERIPHERAL DEVICE (8255)**

PARALLEL DATA



**SPECIAL PERIPHERAL DEVICE: (8251)**

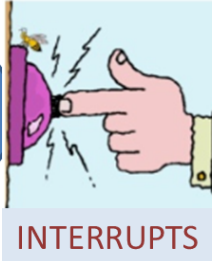
SERIAL DATA



DATA



**INTERRUPT HANDLING PERIPHERAL 8259**



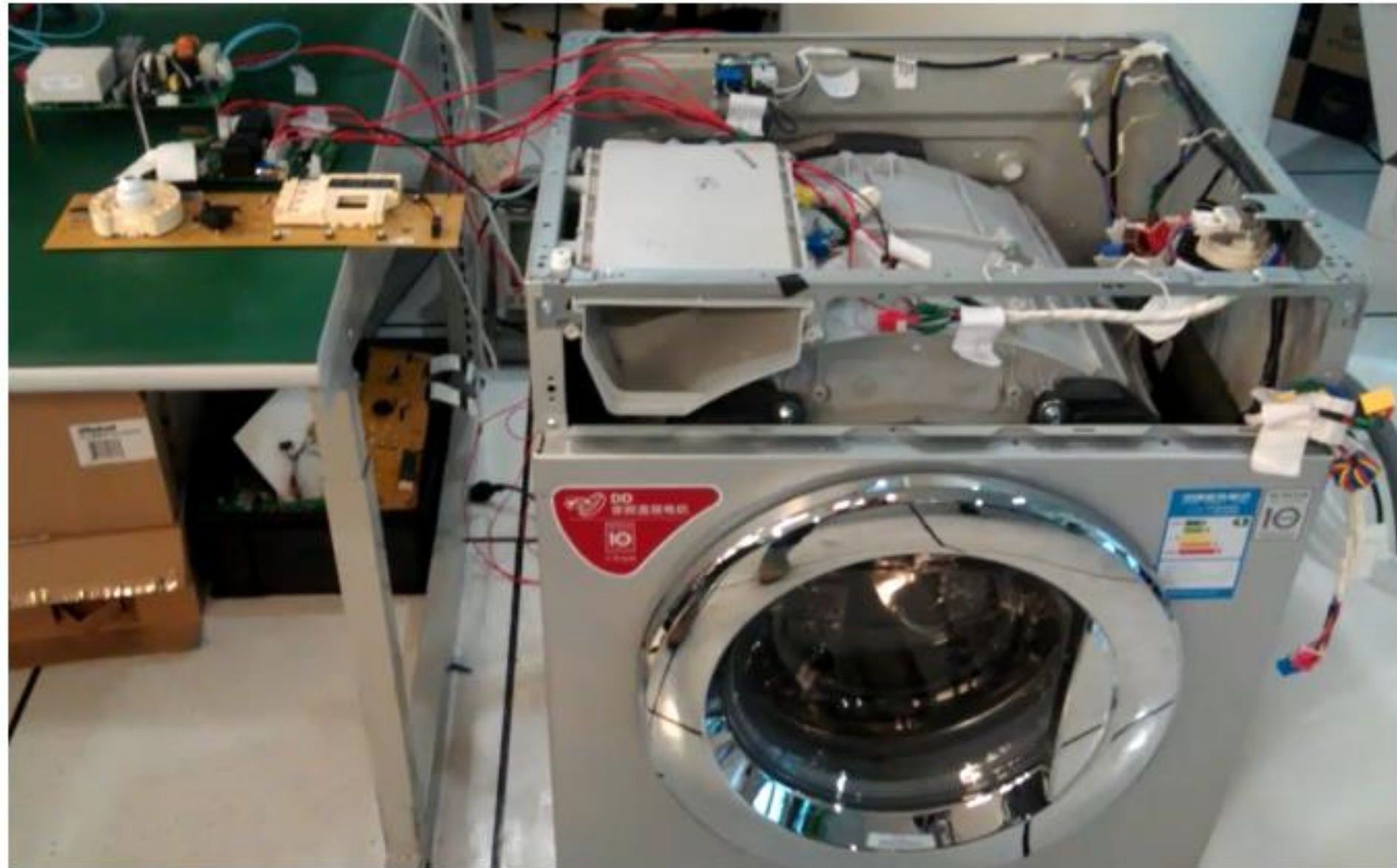
**KEYBOARD**



**LED DISPLAY**

**STEPPER MOTOR**

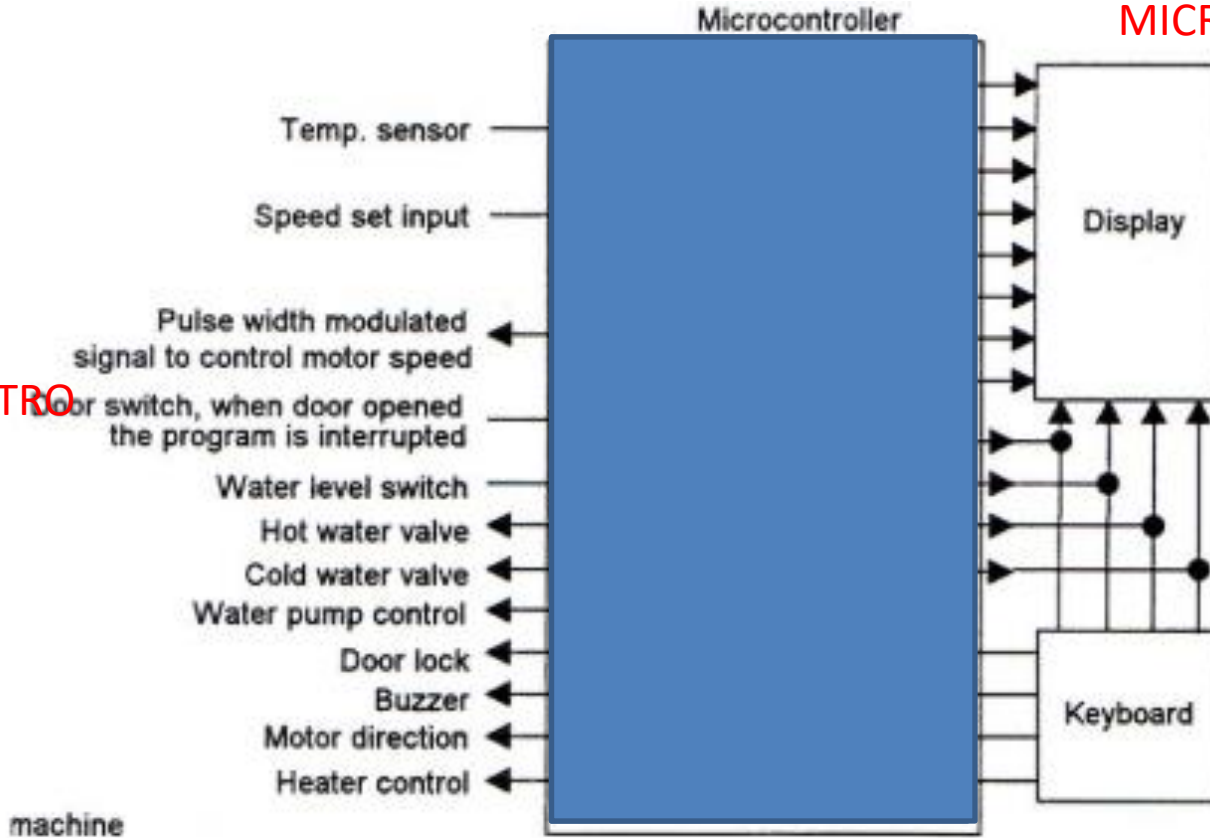
# DOMESTIC WASHING MACHINE



# WHY I AM TEACHING MICROPROCESSOR AND MICROCONTROLLERS

? HOW TO HANDLE INTERRUPTS IN MICROCONTROLLERS

? HOW TO INTERFACE MICROCONTROLLERS WITH MOTORS



## Domestic washing machine

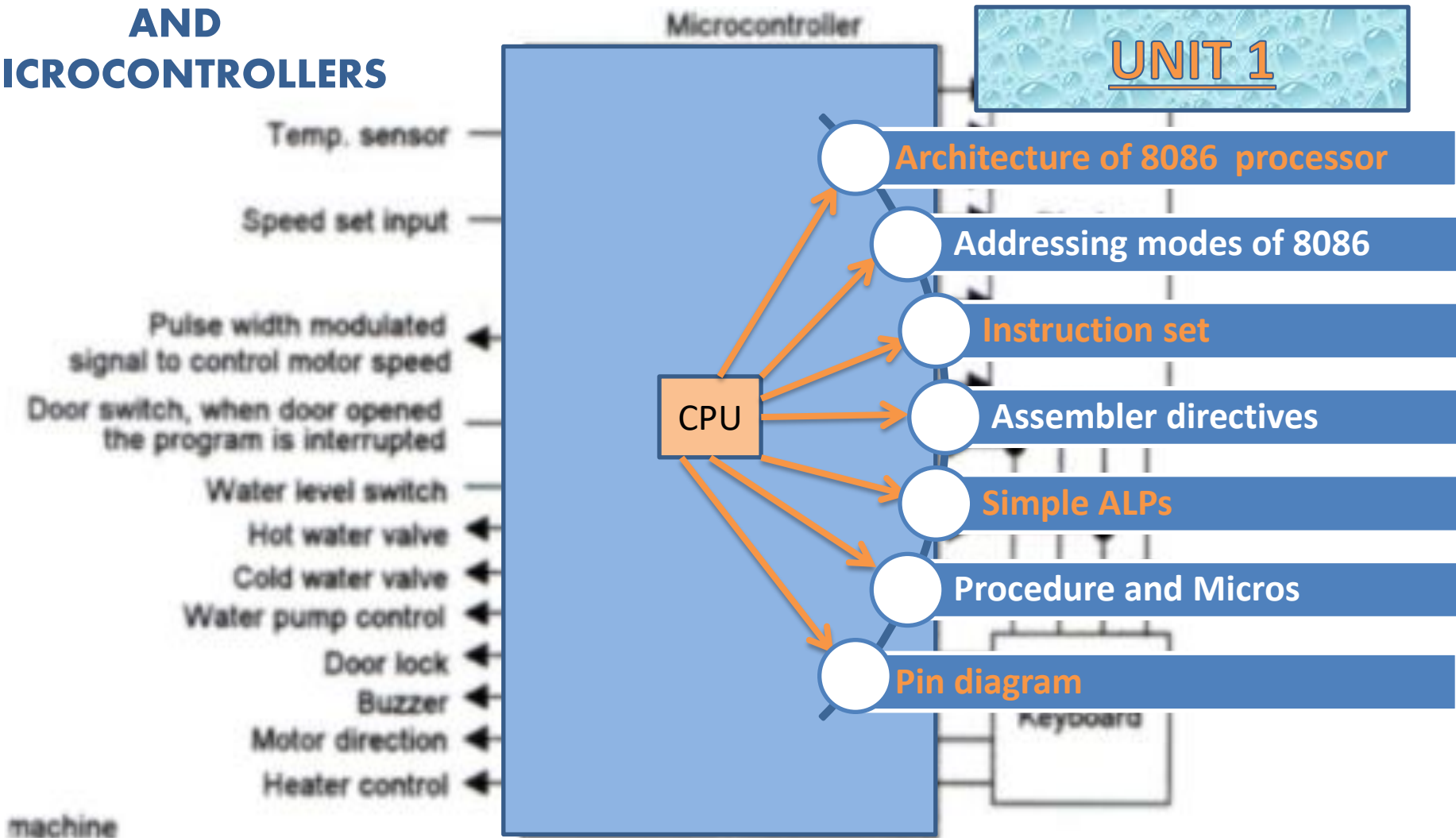
? HOW TO INTERFACE MICROCONTROLLERS WITH DISPLAY AND KEYBOARD.



? HOW TO GENERATE DELAY USING MICROCONTROLLERS FOR TIMER SETTING

# WHY I AM TEACHING MICROPROCESSOR AND MICROCONTROLLERS

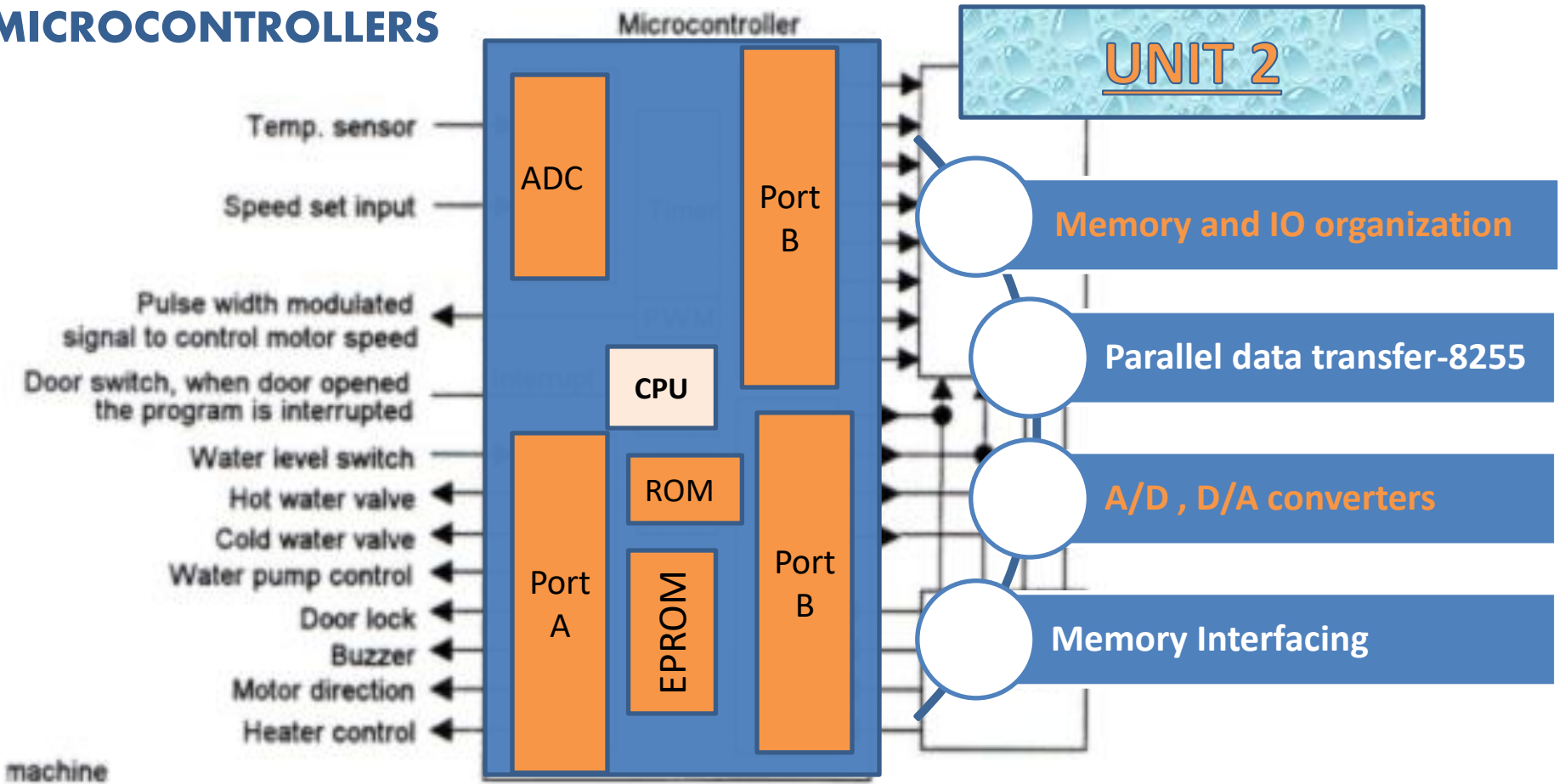
# WHAT I AM TEACHING IN MICROPROCESSOR AND MICROCONTROLLERS



Domestic washing machine

# WHY I AM TEACHING MICROPROCESSOR AND MICROCONTROLLERS

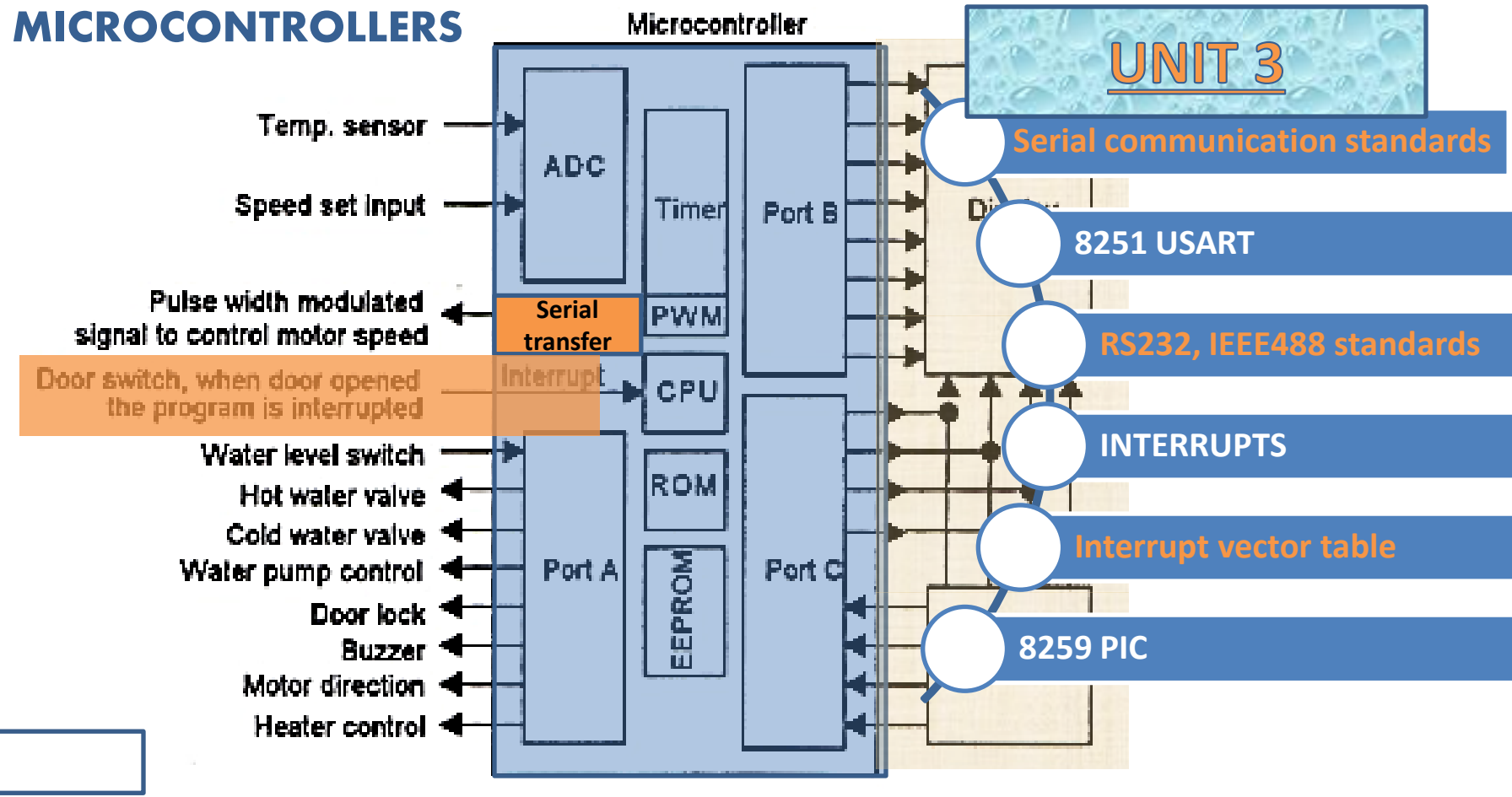
# WHAT I AM TEACHING IN MICROPROCESSOR AND MICROCONTROLLERS



Domestic washing machine

# WHY I AM TEACHING MICROPROCESSOR AND MICROCONTROLLERS

# WHAT I AM TEACHING IN MICROPROCESSOR AND MICROCONTROLLERS



Domestic washing machine

# WASHING MACHINE CONTROLLER

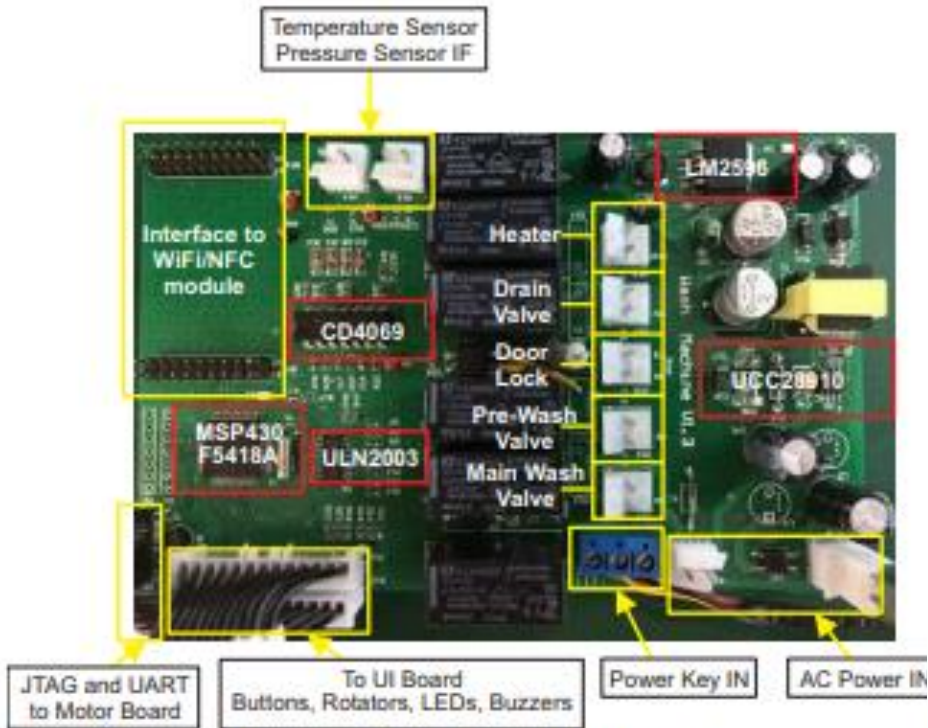


Figure 3. Main Control Board

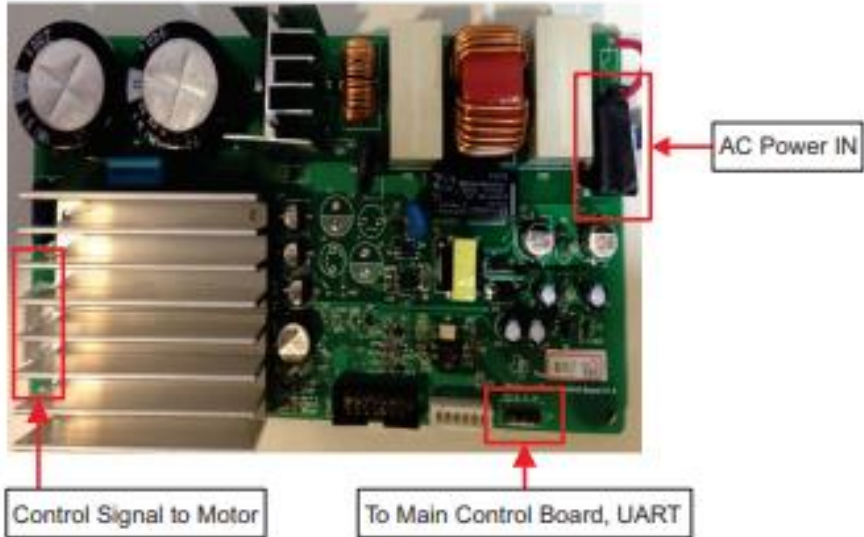
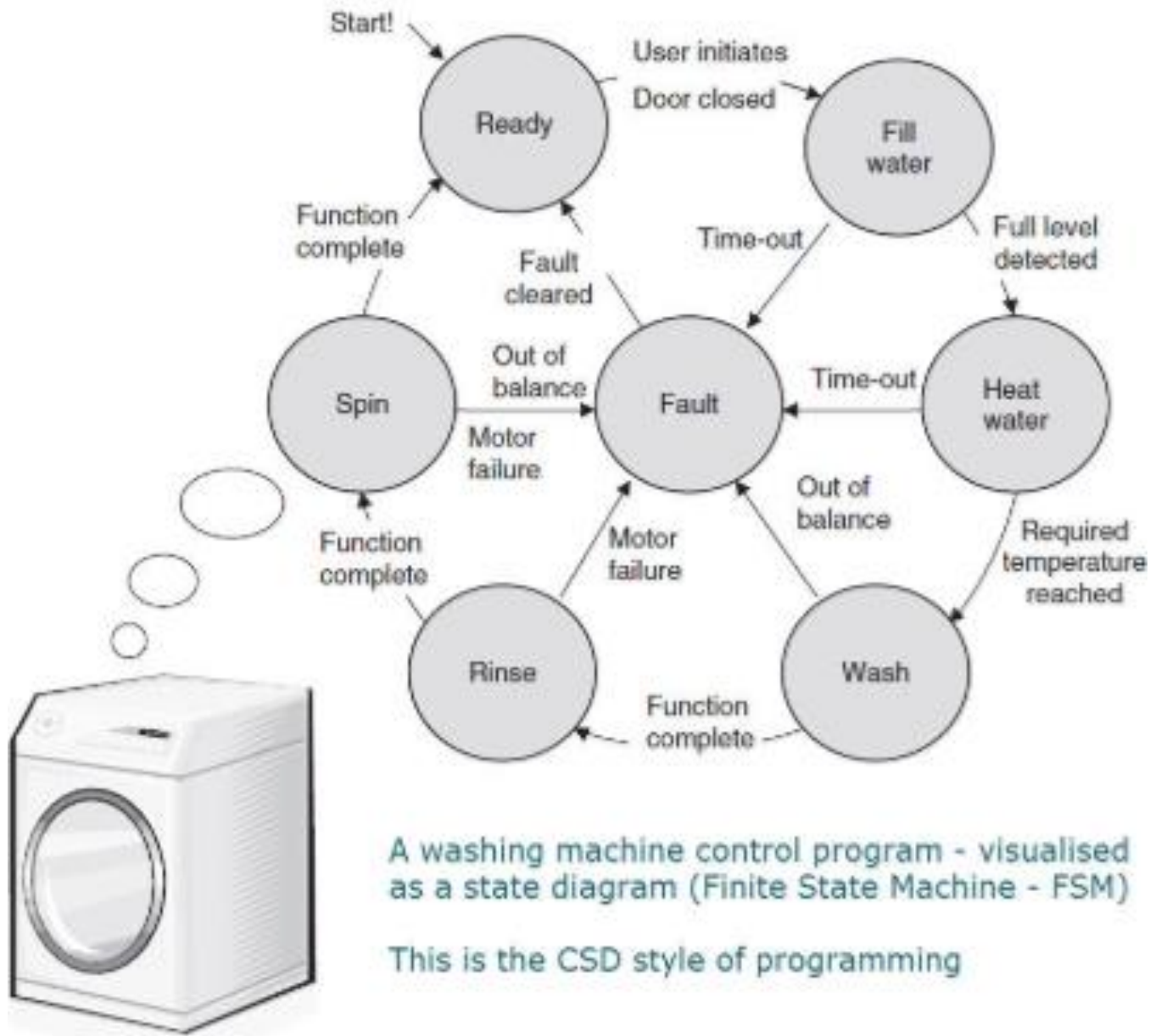


Figure 4. Motor Control Board

Reference from Texas instruments washing machine control reference design users guide 2014



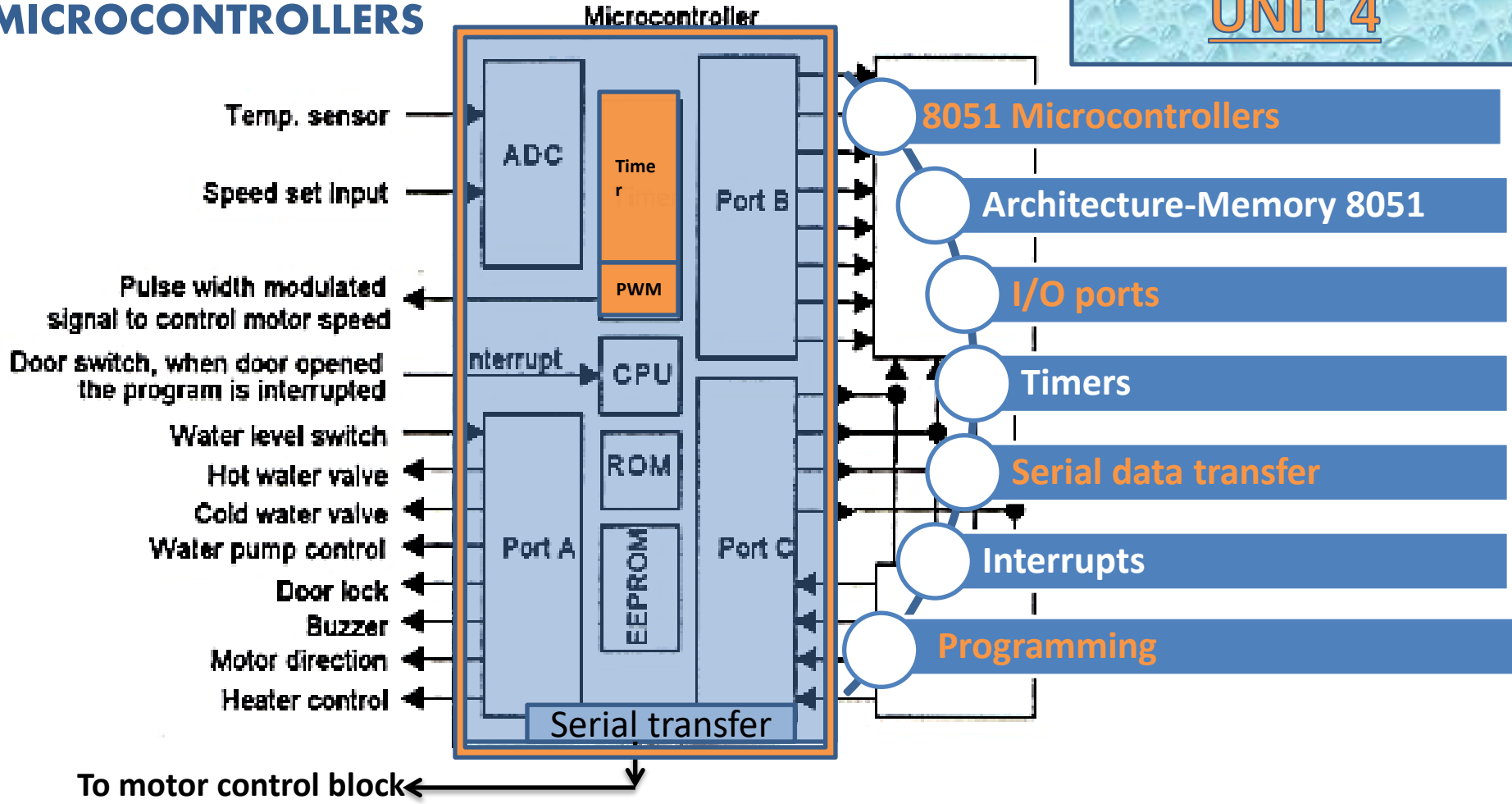
# INTERRUPTS IN WASHING MACHINE



# WHY I AM TEACHING MICROPROCESSOR AND MICROCONTROLLERS

# WHAT I AM TEACHING IN MICROPROCESSOR AND MICROCONTROLLERS

## UNIT 4

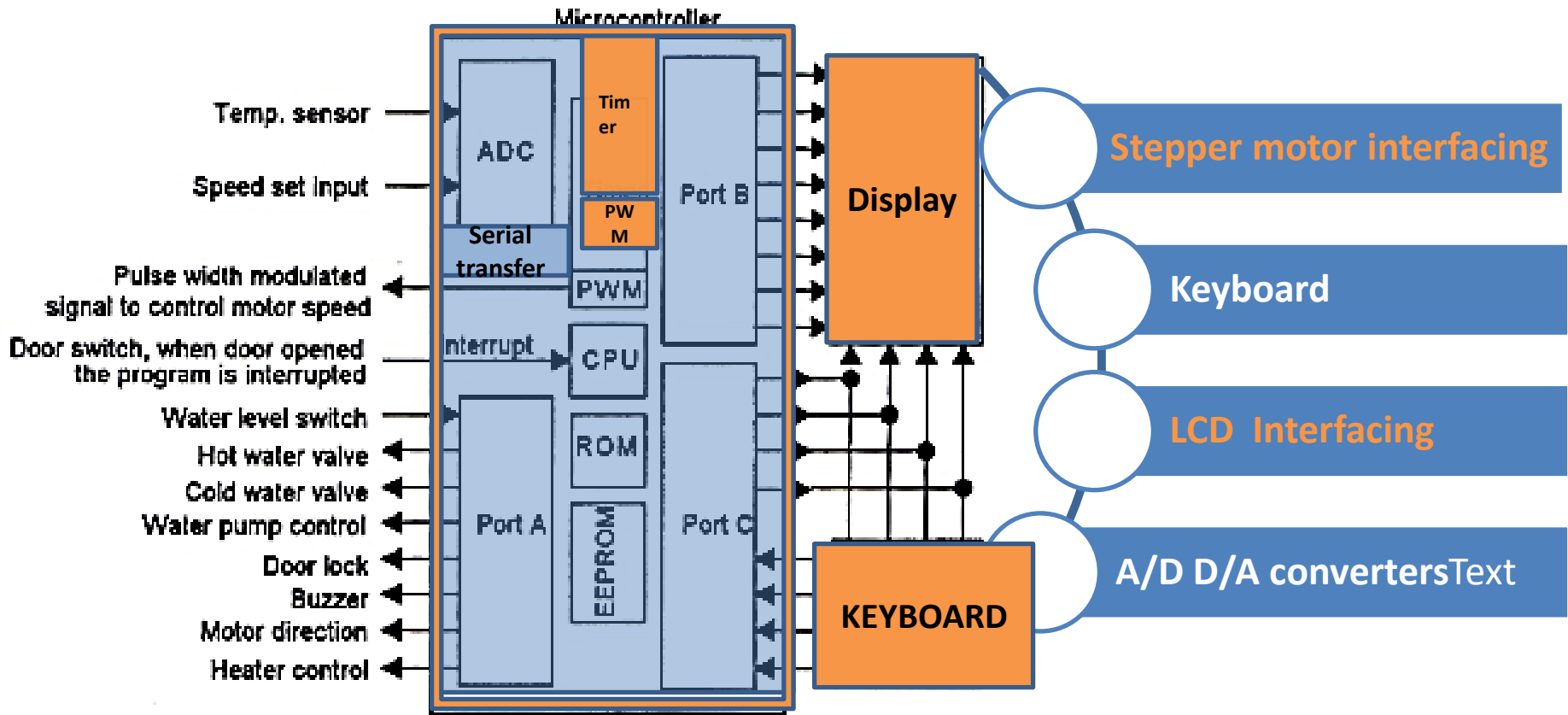


# Domestic washing machine

# WHY I AM TEACHING MICROPROCESSOR AND MICROCONTROLLERS

# WHAT I AM TEACHING IN MICROPROCESSOR AND MICROCONTROLLERS

## UNIT 5



Domestic washing machine

# WHAT I AM LEARNING IN MICROPROCESSOR AND MICROCONTROLLERS

- ❏ BASIC ARCHITECTURE OF MICROPROCESSOR AND MICROCONTROLLERS
- ❏ SERIAL AND PARALLEL DATA TRANSMISSION WITH MICROPROCESSOR AND MICROCONTROLLER.
- ❏ INTERRUPT HANDLING IN MICROPROCESSOR AND MICROCONTROLLER.
- ❏ INTERFACING A/D TO D/A CONVERTERS WITH MICROPROCESSOR.
- ❏ INTERFACING LED, KEYBOARD, STEPPER MOTOR WITH MICROCONTROLLERS.
- ❏ INTRODUCTION TO ADVANCED MICROCONTROLLERS.